

# Stallion Script Form

Fixed Frame Adjustable Wheelchair 90100



**To Order** Fill in the frame dimensions and features required. For variations describe in detail on a separate page. If you have any further questions contact us at the address at the bottom of the page.

**SEND FORM**  
If online, click here to send via e-mail

Date \_\_\_\_\_

Name \_\_\_\_\_

Address \_\_\_\_\_

\_\_\_\_\_

Phone \_\_\_\_\_

Fax / Cell \_\_\_\_\_

Email \_\_\_\_\_

Delivery details \_\_\_\_\_

\_\_\_\_\_

Therapist details \_\_\_\_\_

\_\_\_\_\_

Required by \_\_\_\_\_

**TRIAL CHAIR REF:** \_\_\_\_\_

Disability \_\_\_\_\_ Weight \_\_\_\_\_ Height \_\_\_\_\_ Shoe Size \_\_\_\_\_ T-Shirt Size \_\_\_\_\_

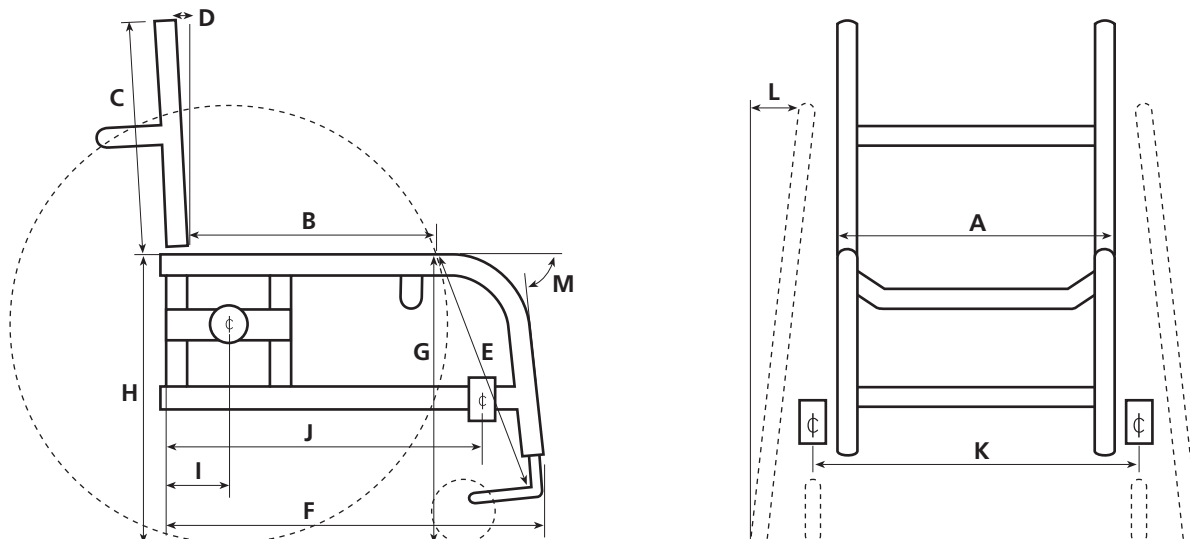
## MEASUREMENTS (Refer to diagram)

Materials  Aluminium  Titanium **90100T**

- |                            |                                      |                                      |   |
|----------------------------|--------------------------------------|--------------------------------------|---|
| <b>A</b> Seat width _____  | <b>E</b> Seat to footplate _____     | <b>I</b> Balance Point _____         | <b>M</b> Hanger Angle<br><input type="checkbox"/> 70° <input type="checkbox"/> 80° (std) <input type="checkbox"/> 90° |
| <b>B</b> Seat depth _____  | <b>F</b> Overall frame length _____  | <b>J</b> Castor Pivot Position _____ |   |
| <b>C</b> Back height _____ | <b>G</b> Seat to floor - front _____ | <b>K</b> Castor Pivot Centres _____  | <b>Back Style</b><br><input type="checkbox"/> Folding Back <input type="checkbox"/> Fixed Back                        |
| <b>D</b> Back angle° _____ | <b>H</b> Seat to floor - rear _____  | <b>L</b> Camber (0°-5°) _____        |   |

## ADDITIONAL NOTES

(you can type here)



# Stallion Script Form

Fixed Frame Adjustable Wheelchair



Name \_\_\_\_\_

**HANGER TYPE**

Swing Away



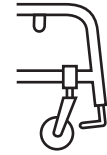
Drop In (top)



Drop In



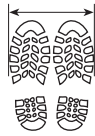
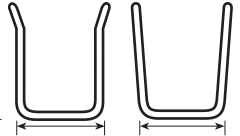
Fixed



**FOOT-PLATE WIDTH**

Width for Pro T and V style foot-plates

\_\_\_\_\_

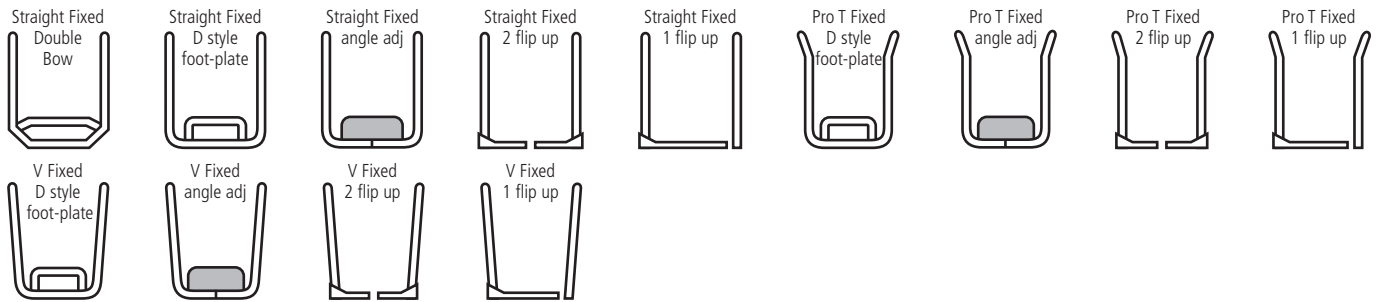


When measuring across feet you must add 2" (50mm)

Front taper standard foot-plate width measurements

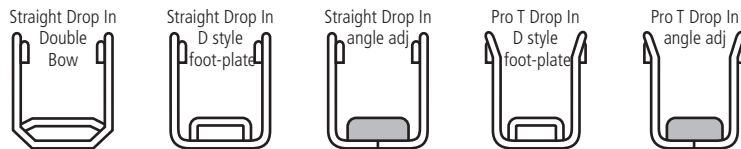
SEAT WIDTH	14"	16"	18"	20"
FOOT-PLATE WIDTH	12"	12"	13"	15"
	(305mm)	(305mm)	(340mm)	(381mm)

**FIXED FOOTREST**



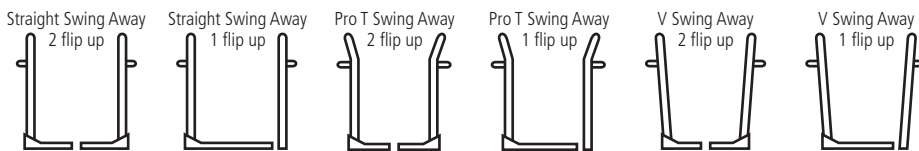
- Straight Hangers
- Pro T Hangers
- V Hangers
- Double Bow style foot-plate (std)
- D style foot-plate (std)
- Angle adjustable foot-plate **AD11520**
- 2 piece, flip up plastic foot-plates **AD11524**
- 1 piece, flip up angle adjustable alloy foot-plate, opens to the left **AD11550**
- 1 piece, flip up angle adjustable alloy foot-plate, opens to the right (pictured) **AD11550**
- ABS on foot-plate **AD11500**
- 2 piece, flip up angle adjustable alloy foot-plates **AD11521**

**DROP IN FOOTREST**



- Straight Hangers
- Pro T Hangers
- Double Bow foot-plate **AD11580**
- D style foot-plate **AD11580**
- Angle adjustable foot-plate **AD11520**
- ABS on foot-plate **AD11500**

**SWING AWAY FOOTREST**



- Straight Hangers
- Pro T Hangers
- V Hangers
- 2 piece, flip up plastic foot-plates **AD11560**
- 1 piece, flip up angle adjustable alloy foot-plate, opens to the left **AD11555**
- 1 piece, flip up angle adjustable alloy foot-plate, opens to the right (pictured) **AD11555**
- 2 piece, flip up angle adjustable alloy foot-plates **AD11570**

**ELEVATING LEG REST** Made for the Swing Away front only

- Left **AD11610**
- Right **AD11610**
- Both **AD11600**

**STUMP SUPPORT** Made for the Fixed and Swing Away fronts only

- Left **AD11650**
- Right **AD11650**
- Both **AD11651**
- Fixed
- Removable

# Stallion Script Form

## Fixed Frame Adjustable Wheelchair

Name \_\_\_\_\_

**CASTORS**

- |  |  |  |   |
|--|--|--|---|
| <input type="checkbox"/> Rollerblade (std)         | <input type="checkbox"/> 5" solid (std)            | <input type="checkbox"/> 6" solid (std)            | <input type="checkbox"/> 8" solid AD11760     |
| <input type="checkbox"/> 4" solid (std)            | <input type="checkbox"/> 5" solid alloy AD11740    | <input type="checkbox"/> 6" solid alloy AD11742    | <input type="checkbox"/> 8" floater AD11761   |
| <input type="checkbox"/> 4" x 1.25" alloy AD11710  | <input type="checkbox"/> 5" x 1.5" solid AD11720   | <input type="checkbox"/> 6" x 1.5" solid AD11730   | <input type="checkbox"/> 8" pneumatic AD11780 |
| <input type="checkbox"/> 4" wide soft roll AD11806 | <input type="checkbox"/> 5" x 1.5" alloy AD11740   | <input type="checkbox"/> 6" x 1.5" alloy AD11742   |   |
|  | <input type="checkbox"/> 5" wide soft roll AD11810 | <input type="checkbox"/> 6" wide soft roll AD11820 |   |
|  |  | <input type="checkbox"/> 6" pneumatic AD11750      |   |

**FORKS**

- 
- Standard forks (std)
- 
- Other \_\_\_\_\_

**PUSH HANDLES**

- |                              |  |   |   |
|------------------------------|--|---|---|
| <input type="checkbox"/> Nil | <input type="checkbox"/> Removable on grab bar AD14100 | <input type="checkbox"/> In back canes AD14140          | <input type="checkbox"/> Stroller D AD14200                 |
|                              | <input type="checkbox"/> Dual clamp adj height AD14120 | <input type="checkbox"/> Foldable in back canes AD14160 | <input type="checkbox"/> Stroller handles removable AD14240 |

**BRAKES**

- |   |  |   |   |
|---|--|---|---|
| <input type="checkbox"/> Nil                        | <input type="checkbox"/> Superlock <small>Push to Lock with Brake Extensions</small> AD14560 | <input type="checkbox"/> Scissor AD14520                | <input type="checkbox"/> D's-Locks AD14600  |
| <input type="checkbox"/> Push to lock (std)         | <input type="checkbox"/> Brake extensions AD14550  | <input type="checkbox"/> Ergo Scissor AD14522           | <input type="checkbox"/> Foot brake AD14660 |
| <input type="checkbox"/> Push to lock (long handle) | <input type="checkbox"/> Hill climbers AD14530   | <input type="checkbox"/> Ergo Scissor w/spring AD14524  |   |
| <input type="checkbox"/> Pull to lock AD14510       | <input type="checkbox"/> Reverse handles   | <input type="checkbox"/> Scissor lock composite AD14570 |   |

**ANTI-TIPS**

- |  |  |  |  |
|--|--|--|--|
| <input type="checkbox"/> Nil               | <input type="checkbox"/> With plastic wheels AD15000 | <input type="checkbox"/> Stainless Steel with plastic wheels AD15025   | <input type="checkbox"/> Adjustable anti tips AD15010  |
| <input type="checkbox"/> Kick tube AD15040 | <input type="checkbox"/> With rollerblades AD15030   | <input type="checkbox"/> Flared w/plastic wheels AD15020<br><small>(only for w/chairs smaller than "16 wide)</small> | <input type="checkbox"/> Swing under anti tips AD15060 |

**ARMRESTS**

- |   |  |
|---|--|
| <input type="checkbox"/> Nil                                    | <input type="checkbox"/> T adjustable height with desk pad armrest AD15260                 |
| <input type="checkbox"/> Foam tube swing away, lift out AD15200 | <input type="checkbox"/> T adjustable height with full length pad armrest AD15261          |
| <input type="checkbox"/> Desk pad swing away, lift out AD15210  | <input type="checkbox"/> T adjustable height desk pad armrest with ABS skirt guard AD15280 |
| <input type="checkbox"/> Full pad swing away, lift out AD15220  | <input type="checkbox"/> T adjustable height full pad armrest with ABS skirt guard AD15281 |

**UPHOLSTERY**

- |  |   |   |  |
|--|---|---|--|
| <input type="checkbox"/> Sling (std)                     | <input type="checkbox"/> No cushion         | <input type="checkbox"/> Cushion 3" AD16203           | <input type="checkbox"/> Bag on front left hanger AD16620  |
| <input type="checkbox"/> Standard back (std)             | <input type="checkbox"/> Cushion 1" AD16201 | <input type="checkbox"/> Bag under chair AD16600      | <input type="checkbox"/> Bag on front right hanger AD16620 |
| <input type="checkbox"/> Tension adjustable back AD16010 | <input type="checkbox"/> Cushion 2" AD16202 | <input type="checkbox"/> Bag on back of chair AD16680 |  |

**SKIRT GUARDS**

- |  |   |  |  |
|--|---|--|--|
| <input type="checkbox"/> Nil                         | <input type="checkbox"/> ABS drop in AD16110        | <input type="checkbox"/> Alloy with fixed back AD16130   | <input type="checkbox"/> Carbon Fibre folding back AD16160 |
| <input type="checkbox"/> Fabric skirt guards AD16100 | <input type="checkbox"/> ABS fabric covered AD16120 | <input type="checkbox"/> Alloy with folding back AD16140 |  |

**STRAPS / BELTS, GUARDS, GLOVES**

- |  |  |  |
|--|--|--|
| <input type="checkbox"/> Leg strap (std)                             | <input type="checkbox"/> Impact guards hangers AD16400   | <input type="checkbox"/> Seat belt with plastic buckle AD16500                 |
| <input type="checkbox"/> Heel loops (std)                            | <input type="checkbox"/> Impact guards back bars AD16420 | <input type="checkbox"/> Seat belt (childs) with metal car type buckle AD16520 |
|  | <input type="checkbox"/> Castor pivot covers AD16410     | <input type="checkbox"/> Seat belt (adult) with metal car type buckle AD16522  |
| <input type="checkbox"/> Gloves<br><small>(size &amp; style)</small> | <input type="checkbox"/> Fabric footplate cover AD11510  | <input type="checkbox"/> Hip strap 4 point belt AD16540                        |

**TRAY**

- 
- With prong receivers AD17010
- 
- 
- Slides over armrests AD17000

**TIE DOWN MOUNTS**

- 
- 2 front and 2 rear AD10320

# Stallion Script Form

## Fixed Frame Adjustable Wheelchair

Name \_\_\_\_\_

**WHEELS****16" - 22"**

- 16" x 1.75" Composite Wheels  
 18" x 1" Spoked Wheels  
 18" x 1.75" Composite Wheels  
 20" x 1" Spoked Wheels  
 20" x 1-3/8" Spoked Wheels  
 20" x 1.75" Spoked Wheels  
 20" x 1.75" Composite Wheels  
 20" X Core Wheels  
 22" x 1" Spoked Wheels  
 22" x 1-3/8" Spoked Wheels  
 22" X Core Wheels  
 22" Spinergy LX Wheels (12 spoke - black only) **AD13310**

**24"**

- Spoked Wheels (std)  
 Composite Wheels  
 Spinergy Day Wheels (18 spoke) **AD13300** (Choose your spoke colour) **Bk R Bl W Y**  
 Spinergy LX Wheels (12 spoke) **AD13310** (Choose your spoke colour) **Bk R Bl W Y Gr Pk O**  
 Spinergy LX Wheels with FlexRim (12 spoke - black only) **AD13315**  
 X Core Wheels (5 spoke) **AD13108**  
 Dino Wheels **AD13360** (Choose your spoke colour) **Bk R Bl Sv Go Gr Pk O LB Pu**  
 BMX Wheels (std)

**25"**

- Spoked Wheels (std)  
 Spinergy Day (18 spoke) **AD13300** (Choose your spoke colour) **Bk R Bl W Y**  
 Spinergy LX (12 spoke) **AD13310** (Choose your spoke colour) **Bk R Bl W Y Gr Pk O**  
 Spinergy LX Wheels with FlexRim (12 spoke - black only) **AD13315**  
 X Core Wheels (3 spoke) **AD13200**  
 Dino Wheels **AD13360** (Choose your spoke colour) **Bk R Bl Sv Go Gr Pk O LB Pu**  
 BMX Wheels (std)

**26"**

- Spoked Wheels (std)  
 Spinergy Day (18 spoke) **AD13300** (Choose your spoke colour) **Bk R Bl W Y**  
 Spinergy LX (12 spoke) **AD13310** (Choose your spoke colour) **Bk R Bl W Y Gr Pk O**  
 BMX Wheels (std)

 Spare Wheel(s) Type: \_\_\_\_\_

Tyres: \_\_\_\_\_

Pushrims: \_\_\_\_\_

Size: \_\_\_\_\_

**TYRES****16" - 22"**

- 16" x 1.75" Tread (std)  
 18" x 1" HP Smooth (std)  
 18" x 1.75" Tread (std)  
 20" x 1.75" Tread (std)  
 20" x 1" HP Smooth (std)  
 20" x 1-3/8" Tread (std)  
 20" x 1" Solid (std)  
 22" x 1" HP Smooth (std)  
 22" x 1-3/8" Tread (std)  
 22" x 1" Solid (std)

**24"**

- 24" x 1" HP Smooth (std)  
 24" x 1" HP Tread (std)  
 24" x 1" Solid (std)  
 24" x 1-3/8" Tread (std)  
 24" x 1-3/8" Solid (std)  
 24" x 1-3/8" Kenda HP Tread **AD13710**  
 24" x 1-3/8" Primo V-Trak Knobbly **AD13715**  
 24" x 1" Kenda Ironcap Blue **AD13700**  
 24" x 1" Kenda Konstrictor **AD13720**  
 24" x 1" Schwalbe Right Run **AD13740**  
 24" x 1" Schwalbe Marathon Evo **AD13750**  
 BMX Tread (std)

**25"**

- 25" x 1" HP Smooth (std)  
 25" x 1" Solid (std)  
 25" x 1" Kenda Ironcap Blue **AD13700**  
 25" x 1" Kenda Konstrictor **AD13720**  
 25" x 1" Schwalbe Right Run **AD13740**  
 25" x 1" Schwalbe Marathon Evo **AD13750**  
 BMX Tread (std)

**26"**

- 26" x 1" HP Smooth (std)  
 26" x 1-3/8" Tread (std)  
 26" x 1" Solid (std)  
 26" x 1" Schwalbe Right Run **AD13740**  
 26" x 1" Schwalbe Marathon Evo **AD13750**  
 BMX Tread (std)

**AXLES**

- Quick release axles (std)  Quad release **AD12500**

**SPOKE GUARDS**

- Clear polycarb **AD13900**  Black ABS **AD13901**

**PUSHRIMS**

- Anodised (std)  Foam **AD13840**  Max Greppe **AD13870**  Spinergy FlexRim see Wheels  
 Rubber Coated (black) **AD13850**  Surge **AD13864**  Natural Fit Lite **AD13860**  
 Vinyl **AD13830**  Surge Lite **AD13864**  Capstan No. of projections: \_\_\_\_\_ Angle: \_\_\_\_\_ Length: \_\_\_\_\_

**PUSHRIMS - POSITION**

- Standard  In close  Onto rim

# Stallion Script Form

## Fixed Frame Adjustable Wheelchair

Name \_\_\_\_\_

**COLOURS**

- 27 Candy Blue
- 1 Royal Blue
- 72 Glass Blue
- 16 Candy Purple
- 48 Burgundy
- 83 Candy Raspberry
- 88 Fluro Pink
- 28 Candy Red
- 11 Flame
- 57 Super Hot Chilli
- 80 Candy Orange
- 71 Pure Orange
- 68 Crystal Yellow
- 73 Crystal Jade
- 89 Fluro Green
- 70 Candy Emerald
- 2 Hawthorn Green
- 17 Crystal Sapphire

**ATTENTION**

**THIS IS A GUIDE TO COLOURS ONLY, how colours appear on your monitor or when printed out may vary.**

Contact us if you require assistance or a colour sample.

This colour selection is for our aluminum frames only.

We do not recommend powder coating titanium.

Colour availability is subject to change without notice, contact us if you are concerned about the availability of your colour.

- 55 Silver Sparkle
- 12 Silver Orbiter
- 46 Chrome
- 42 Metallic Viper
- 30 Satin Black
- 61 High Gloss Black
- 62 Matt Black
- 63 Texture Matt Black
- 18 Clear
- Bead Blast** (titanium only)
- Custom Colour** (additional cost)



Description