

# Hornet Script Form

## Fixed Frame Day Wheelchair 90460

**To Order** Fill in the frame dimensions and features required. For variations describe in detail on a separate page. If you have any further questions contact us at the address at the bottom of the page.

**SEND FORM**  
If online, click here to send via e-mail

Date \_\_\_\_\_

Name \_\_\_\_\_

Address \_\_\_\_\_

Phone \_\_\_\_\_

Fax / Cell \_\_\_\_\_

Email \_\_\_\_\_

Delivery details \_\_\_\_\_

Therapist details \_\_\_\_\_

Required by \_\_\_\_\_

**TRIAL CHAIR REF:** \_\_\_\_\_

Disability \_\_\_\_\_ Weight \_\_\_\_\_ Height \_\_\_\_\_ Shoe Size \_\_\_\_\_ T-Shirt Size \_\_\_\_\_

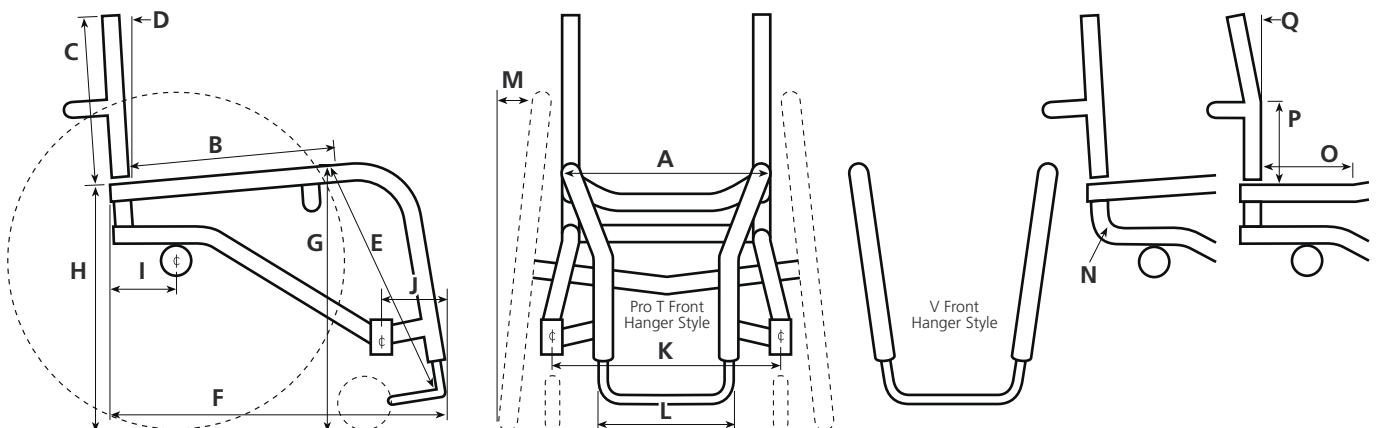
### MEASUREMENTS (Refer to diagrams)

**Materials**  Titanium 90460  Aluminium 90460A

|  |  |  |   |
|--|--|--|---|
| <b>A</b> Seat Width _____  | <b>F</b> Frame Length _____                  | <b>M</b> Camber<br><input type="checkbox"/> 0° <input type="checkbox"/> 1° <input type="checkbox"/> 2° <input type="checkbox"/> 3° <input type="checkbox"/> 4° <input type="checkbox"/> 5° | <input type="checkbox"/> Ergo Seat Option AD10220       |
| <b>B</b> Seat Length _____   | <b>G</b> Seat to Floor - Front _____         | <b>Camber Bar Position</b><br><input type="checkbox"/> Fixed <input type="checkbox"/> Adjustable   | <b>O</b> Ergo Seat Length _____                         |
| <b>Growth in Seat Length AD10700</b><br>Seat length extends at the rear<br><input type="checkbox"/> 3/4" <input type="checkbox"/> 1-1/2" <input type="checkbox"/> 2-1/4" <input type="checkbox"/> 3" | <b>H</b> Seat to Floor - Rear _____          | <b>Front Hanger Taper Style</b><br><input type="checkbox"/> V Front <input type="checkbox"/> Pro T Front   | <b>P</b> Ergo Back Height _____                         |
| <b>C</b> Back Height _____<br><input type="checkbox"/> Fixed <input type="checkbox"/> Adjustable   | <b>I</b> Balance Point<br>Limited to 1" - 5" | <input type="checkbox"/> <b>N</b> Rolled Bottom Rail Tube  | <b>Q</b> Ergo Back Angle° _____                         |
| <b>D</b> Back Angle° _____   | <b>J</b> Castor Pivot Position _____         | <b>Pivots</b><br><input type="checkbox"/> Bullet <input type="checkbox"/> Std  | <input type="checkbox"/> <b>Suspension Unit AD10200</b> |
| <b>E</b> Seat to Footplate _____   | <b>K</b> Castor Pivot Centres _____          |  |   |
|  | <b>L</b> Footplate Width _____               |  |   |

### ADDITIONAL NOTES

(you can type here)



# Hornet Script Form

## Fixed Frame Day Wheelchair

Name \_\_\_\_\_

**BACK REST**

- Folding back (std)       Fixed back       Folding & locking back **AD11250**

**FOOTPLATE**

- Standard       Angle adjustable **AD11520**       ABS on footplate **AD11500**       Fabric padded cover **AD11510**

**CASTORS**

- Rollerblade (std)       5" solid (std)       6" solid (std)       6" pneumatic **AD11750**  
 4" solid (std)       5" solid alloy **AD11740**       6" solid alloy **AD11742**  
 4" x 1.25" alloy **AD11710**       5" x 1.5" solid **AD11720**       6" x 1.5" solid **AD11730**  
 4" wide soft roll **AD11806**       5" x 1.5" alloy **AD11740**       6" x 1.5" alloy **AD11742**  
 5" wide soft roll **AD11810**       6" wide soft roll **AD11820**

**FORKS**

- Standard forks (std)       Ultralight bearing forks **AD11910** Bullet Pivots Only       Frog Legs suspension **AD11950** Std Pivots Only       Frog Legs Unitine **AD11920**

**PUSH HANDLES**

- Nil       Removable **AD14100** height \_\_\_\_\_       Height adj dual clamp **AD14120** height \_\_\_\_\_       In back canes **AD14140**  
 Foldable in back canes **AD14160**

**BRAKES**

- Nil       Superlock Push to Lock with Brake Extensions **AD14560**       Scissor (std)       Scissor Lock Composite **AD14570**  
 Push to lock (std)       Brake extension left **AD14550**       Ergo Scissor **AD14522**       D's-Locks **AD14600**  
 Pull to lock **AD14510**       Brake extension right **AD14550**       Ergo Scissor w/spring **AD14524**       Hill climbers **AD14530**

**ANTI-TIPS**

- Nil       Latch flip-up **AD15022**       Single centre mount anti-tip with plastic wheels **AD15070**  
 Pair of single anti-tips with plastic wheels **AD15000**       Single centre mount anti-tip with rollerblades **AD15080**  
 Pair of single anti-tips with rollerblades **AD15030**       Double mount one piece swivel anti-tip with rollerblade **AD15150**

**ARMRESTS**

- Nil       T adjustable height desk pad armrest with ABS skirt guard **AD15280**  
 T adjustable height desk pad armrest **AD15260**       T adjustable height full length pad armrest with ABS skirt guard **AD15281**  
 T adjustable height full length pad armrest **AD15261**

**UPHOLSTERY**

- Sling (std)       No cushion       Cushion 3" **AD16203**       Bag on right front hanger **AD16620**  
 Standard back (std)       Cushion 1" **AD16201**       Bag under chair **AD16600**       Bag on front left hanger **AD16620**  
 Tension adjustable back **AD16010**       Cushion 2" **AD16202**       Bag on back of chair **AD16680**

**SKIRT GUARDS**

- Nil       ABS drop in **AD16110**       Alloy fixed **AD16130**       Carbon Fibre fixed **AD16161**  
 Fabric skirt guards **AD16100**       ABS fabric covered **AD16120**       Alloy folding **AD16140** Folding Skirt Guards will Limit Brake Options       Carbon Fibre folding **AD16160** Folding Skirt Guards will Limit Brake Options

**STRAPS, IMPACT GUARDS**

- Leg strap (std)       Impact guards front hangers **AD16400**       Impact guards grab bar **AD16420**       Impact guards made only if suitable after fitting anti tips, push handles etc.  
 Impact guards bottom bar **AD16422**

# Hornet Script Form

## Fixed Frame Day Wheelchair

Name \_\_\_\_\_

**WHEELS****24"**

- Spoked Wheels (std)
- Spinergy Day Wheels (18 spoke) **AD13300** (Choose your spoke colour) **Bk R Bl W Y**
- Spinergy LX Wheels (12 spoke) **AD13310** (Choose your spoke colour) **Bk R Bl W Y Gr Pk O**
- Spinergy LX Wheels with FlexRim (12 spoke - black only) **AD13315**
- X Core Wheels (5 spoke) **AD13108**
- Spider Wheels **AD13100**
- Softwheels (See Sales Rep)
- Dino Wheels **AD13360** (Choose your spoke colour) **Bk R Bl Sv Go Gr Pk O LB Pu**
- BMX Wheels (std)

**25"**

- Spoked Wheels (std)
- Spinergy Day (18 spoke) **AD13300** (Choose your spoke colour) **Bk R Bl W Y**
- Spinergy LX (12 spoke) **AD13310** (Choose your spoke colour) **Bk R Bl W Y Gr Pk O**
- Spinergy LX Wheels with FlexRim (12 spoke - black only) **AD13315**
- X Core Wheels (3 spoke) **AD13200**
- Softwheels (See Sales Rep)
- Dino Wheels **AD13360** (Choose your spoke colour) **Bk R Bl Sv Go Gr Pk O LB Pu**
- BMX Wheels (std)

**26"**

- Spoked Wheels (std)
- Spinergy Day (18 spoke) **AD13300** (Choose your spoke colour) **Bk R Bl W Y**
- Spinergy LX (12 spoke) **AD13310**
- BMX Wheels (std)

 Spare Wheel(s) Type: \_\_\_\_\_

Tyres: \_\_\_\_\_ Pushrims: \_\_\_\_\_ Size: \_\_\_\_\_

**TYRES****24"**

- 24" x 1" HP Smooth (std)
- 24" x 1" HP Tread (std)
- 24" x 1" Solid (std)
- 24" x 1-3/8" Tread (std)
- 24" x 1-3/8" Solid (std)
- 24" x 1-3/8" Kenda HP Tread **AD13710**
- 24" x 1-3/8" Knobbly V-Trak **AD13715**
- 24" x 1" Kenda Ironcap Blue **AD13700**
- 24" x 1" Kenda Konstrictor **AD13720**
- 24" x 1" Schwalbe Right Run **AD13740**
- 24" x 1" Schwalbe Marathon Evo **AD13750**
- BMX Tread (std)

**25"**

- 25" x 1" HP Smooth (std)
- 25" x 1" Solid (std)
- 25" x 1" Kenda Ironcap Blue **AD13700**
- 25" x 1" Kenda Konstrictor **AD13720**
- 25" x 1" Schwalbe Right Run **AD13740**
- 25" x 1" Schwalbe Marathon Evo **AD13750**
- BMX Tread (std)

**26"**

- 26" x 1" HP Smooth (std)
- 26" x 1-3/8" Tread (std)
- 26" x 1" Solid (std)
- 26" x 1" Schwalbe Right Run **AD13740**
- 26" x 1" Schwalbe Marathon Evo **AD13750**
- BMX Tread (std)

**AXLES**

- Quick release axles (std)       Quad release **AD12500**

**PUSHRIMS**

- |   |  |  |   |
|---|--|--|---|
| <input type="checkbox"/> Anodised (std)                       | <input type="checkbox"/> Surge <b>AD13864</b>            | <input type="checkbox"/> Foam <b>AD13840</b> | <input type="checkbox"/> Q Grips <b>AD13865</b> |
| <input type="checkbox"/> Anodised (1") <b>AD13855</b>         | <input type="checkbox"/> Surge Lite <b>AD13864</b>       | _____  |   |
| <input type="checkbox"/> Vinyl <b>AD13830</b>                 | <input type="checkbox"/> Natural Fit Lite <b>AD13860</b> | <b>Carbolife AD13868</b>                     |   |
| <input type="checkbox"/> Vinyl (1") <b>AD13859</b>            | <input type="checkbox"/> Max Greppe <b>AD13870</b>       | <input type="checkbox"/> Curve               | <input type="checkbox"/> Gekko                  |
| <input type="checkbox"/> Rubber coated (black) <b>AD13850</b> | <input type="checkbox"/> Spinergy FlexRim - see Wheels   | <input type="checkbox"/> Curve Large         | <input type="checkbox"/> Gekko S (24")          |
| <input type="checkbox"/> Rubber coated (1") <b>AD13857</b>    | <input type="checkbox"/> RibGrips <b>AD13866</b>         | <input type="checkbox"/> Curve Tetra         | <input type="checkbox"/> Quadro                 |
|   |  | <input type="checkbox"/> Curve Tetra Large   |   |

**PUSHRIMS - POSITION**

- Standard       In close
- Onto rim

**SPOKE GUARDS**

- Nil       Black ABS **AD13901**
- Clear polycarb **AD13900**

Name \_\_\_\_\_

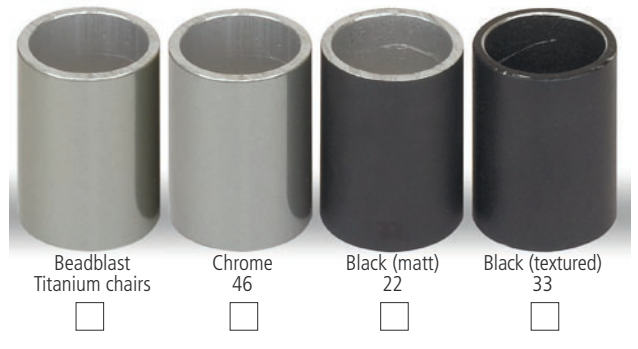
**ATTENTION**

**THIS IS A GUIDE TO COLOURS ONLY, how colours appear on your monitor or when printed out may vary.**

Talk to us if you want your Titanium frame coloured or polished.

*Colour availability is subject to change without notice.*

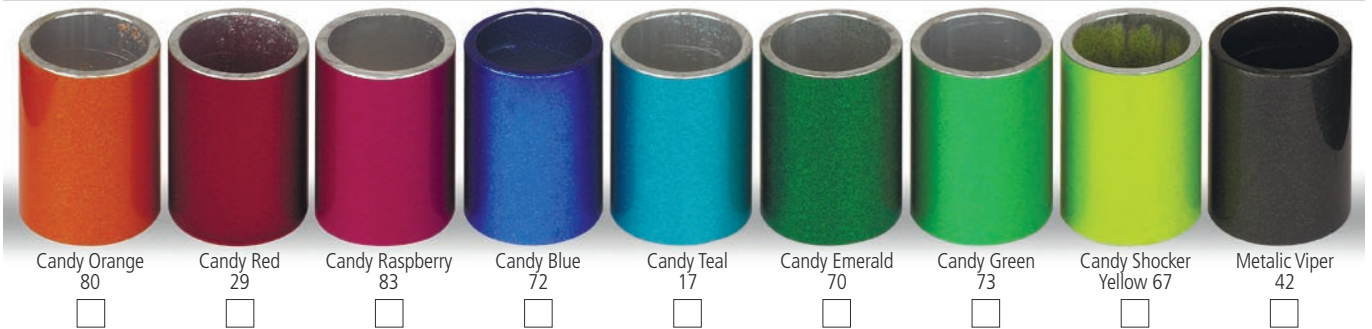
**STANDARD & ENABLE CLIENT COLOURS**



**GLASS COLOURS**



**CANDY COLOURS**



**CANDY COLOURS (SPECIAL)**



**FLUORESCENT COLOURS**

