

# Hawk Ultra Script

## Fixed Frame Day Wheelchair 90420UL

**To Order** Fill in the frame dimensions and features required. For variations describe in detail on a separate page. If you have any further questions contact us at the address at the bottom of the page.

**SEND FORM**

If online, click here to send via e-mail

Date \_\_\_\_\_

Name \_\_\_\_\_

Address \_\_\_\_\_

\_\_\_\_\_

Phone \_\_\_\_\_

Fax / Cell \_\_\_\_\_

Email \_\_\_\_\_

Disability \_\_\_\_\_ Weight \_\_\_\_\_ Height \_\_\_\_\_

Delivery details \_\_\_\_\_

\_\_\_\_\_

Therapist details \_\_\_\_\_

\_\_\_\_\_

Required by \_\_\_\_\_

**TRIAL CHAIR REF:** \_\_\_\_\_

Shoe Size \_\_\_\_\_ T-Shirt Size \_\_\_\_\_

### MEASUREMENTS (Refer to diagram below)

Frame Materials  Titanium (std) **90420UL**

**A** Seat Width 16"  17"  18"  19"  20"

**A** Custom Seat Width **AD10100**

**B** Seat Depth 16"  17"  18"  19"  20"

**B** Custom Seat Depth **AD10100**

**C** Back Height 9"-12"  12"-15"  15"-18"

**C** Custom Back Height

**D** Back Angle setup (adjustable - 90° std)

**E** Seat to Footplate \_\_\_\_\_

**F** Seat to Floor - Front \_\_\_\_\_  
17"  18"  19"  20"

**G** Seat to Floor - Rear \_\_\_\_\_  
14"  15"  16"  17"  18"  19"

**H** Balance Point 1"  2"  3"  4"

**I** Camber (0°-5°) 0°  3°  5°

**J** Footplate Width \_\_\_\_\_



**IMPORTANT Foot-plate Width**  
When measuring across feet you must add 2" (50mm).  
Add another 1" if using a Freewheel.

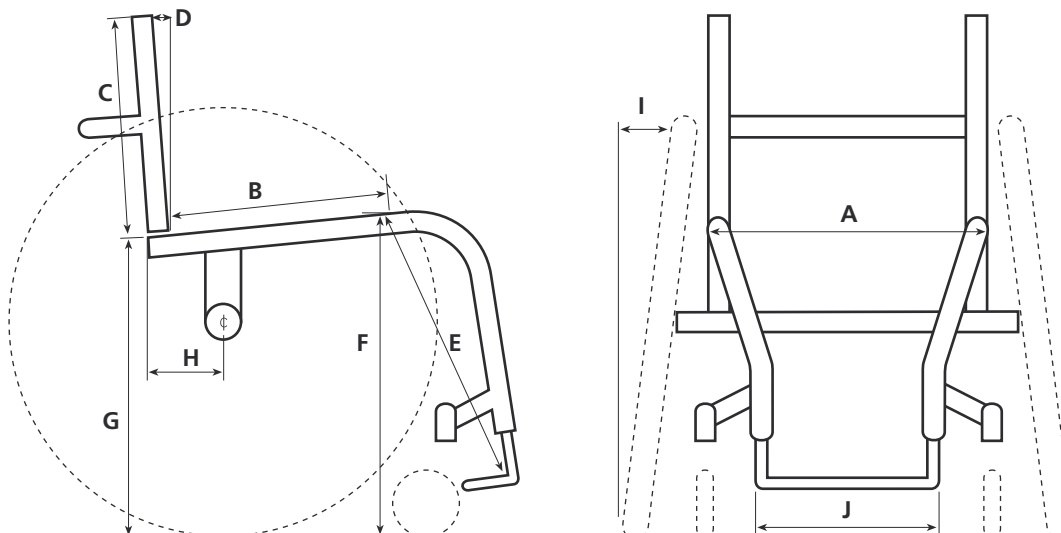
### Front Hanger Taper Style

V Front  Pro T Front



### ADDITIONAL NOTES

(you can type here)





# Hawk Ultra Script

Fixed Frame Day Wheelchair

Name \_\_\_\_\_

**WHEELS****24"**

- Spoked Wheels (std)
- Spinergy Day Wheels (18 spoke) **AD13300** (Choose your spoke colour) **Bk R Bl W Y**
- Spinergy LX Wheels (12 spoke) **AD13310** (Choose your spoke colour) **Bk R Bl W Y Gr Pk O**
- Spinergy LX Wheels with FlexRim (12 spoke - black only) **AD13315**
- X Core Wheels (5 spoke) **AD13108**
- Spider Wheels **AD13100**
- Topolino Wheels **AD13350**
- Dino Wheels **AD13360** (Choose your spoke colour) **Bk R Bl Sv Go Gr Pk O LB Pu**
- BMX Wheels (std)

**25"**

- Spoked Wheels (std)
- Spinergy Day (18 spoke) **AD13300** (Choose your spoke colour) **Bk R Bl W Y**
- Spinergy LX (12 spoke) **AD13310** (Choose your spoke colour) **Bk R Bl W Y Gr Pk O**
- Spinergy LX Wheels with FlexRim (12 spoke - black only) **AD13315**
- X Core Wheels (3 spoke) **AD13200**
- Topolino Wheels **AD13350**
- Dino Wheels **AD13360** (Choose your spoke colour) **Bk R Bl Sv Go Gr Pk O LB Pu**
- BMX Wheels (std)

**26"**

- Spoked Wheels (std)
- Spinergy Day (18 spoke) **AD13300** (Choose your spoke colour) **Bk R Bl W Y**
- Spinergy LX (12 spoke) **AD13310**
- BMX Wheels (std)

 Spare Wheel(s) Type: \_\_\_\_\_

Tyres: \_\_\_\_\_ Pushrims: \_\_\_\_\_ Size: \_\_\_\_\_

**TYRES****24"**

- 24" x 1" HP Smooth (std)
- 24" x 1" HP Tread (std)
- 24" x 1" Solid (std)
- 24" x 1-3/8" Tread (std)
- 24" x 1-3/8" Solid (std)
- 24" x 1-3/8" Kenda HP Tread **AD13710**
- 24" x 1-3/8" Knobbly V-Trak **AD13715**
- 24" x 1" Kenda Ironcap Blue **AD13700**
- 24" x 1" Kenda Konstrictor **AD13720**
- 24" x 1" Schwalbe Right Run **AD13740**
- 24" x 1" Schwalbe Marathon Evo **AD13750**
- BMX Tread (std)

**25"**

- 25" x 1" HP Smooth (std)
- 25" x 1" Solid (std)
- 25" x 1" Kenda Ironcap Blue **AD13700**
- 25" x 1" Kenda Konstrictor **AD13720**
- 25" x 1" Schwalbe Right Run **AD13740**
- 25" x 1" Schwalbe Marathon Evo **AD13750**
- BMX Tread (std)

**26"**

- 26" x 1" HP Smooth (std)
- 26" x 1-3/8" Tread (std)
- 26" x 1" Solid (std)
- 26" x 1" Schwalbe Right Run **AD13740**
- 26" x 1" Schwalbe Marathon Evo **AD13750**
- BMX Tread (std)

**AXLES**

- Quick release axles (std)  Quad release **AD12500**

**PUSHRIMS**

- Anodised (std)  Rubber coated (black) **AD13850**  Spinergy FlexRim - see Wheels  Q Grips **AD13865**
- Anodised (1") **AD13855**  Rubber coated (1") **AD13857**  RibGrips **AD13866**
- Vinyl **AD13830**  Surge **AD13864**  Natural Fit Lite with thumb grips **AD13860**
- Vinyl (1") **AD13859**  Max Greppe **AD13870**  Natural Fit Lite without thumb grips **AD13860**

**PUSHRIMS - POSITION**

- Standard  In close  Onto rim

**SPOKE GUARDS**

- Nil  Clear polycarb **AD13900**  Black ABS **AD13901**

Name \_\_\_\_\_

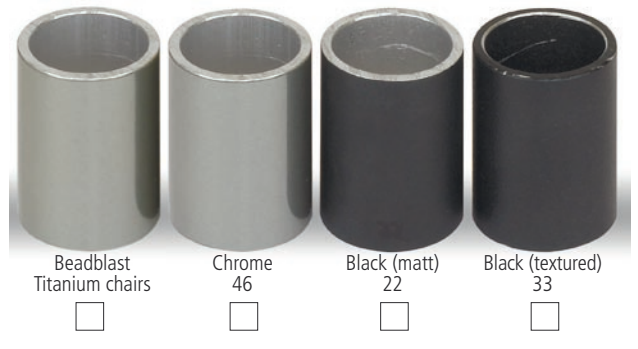
**ATTENTION**

**THIS IS A GUIDE TO COLOURS ONLY, how colours appear on your monitor or when printed out may vary.**

Talk to us if you want your Titanium frame coloured or polished.

*Colour availability is subject to change without notice.*

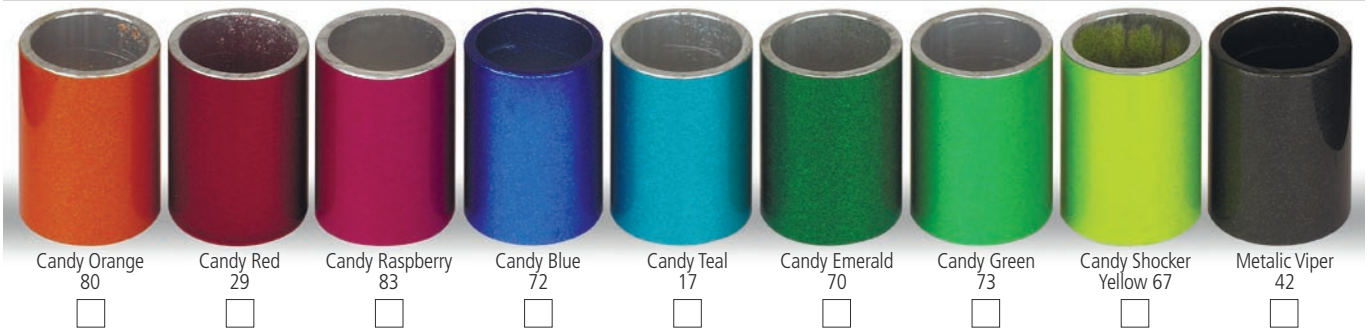
**STANDARD & ENABLE CLIENT COLOURS**



**GLASS COLOURS**



**CANDY COLOURS**



**CANDY COLOURS (SPECIAL)**



**FLUORESCENT COLOURS**

